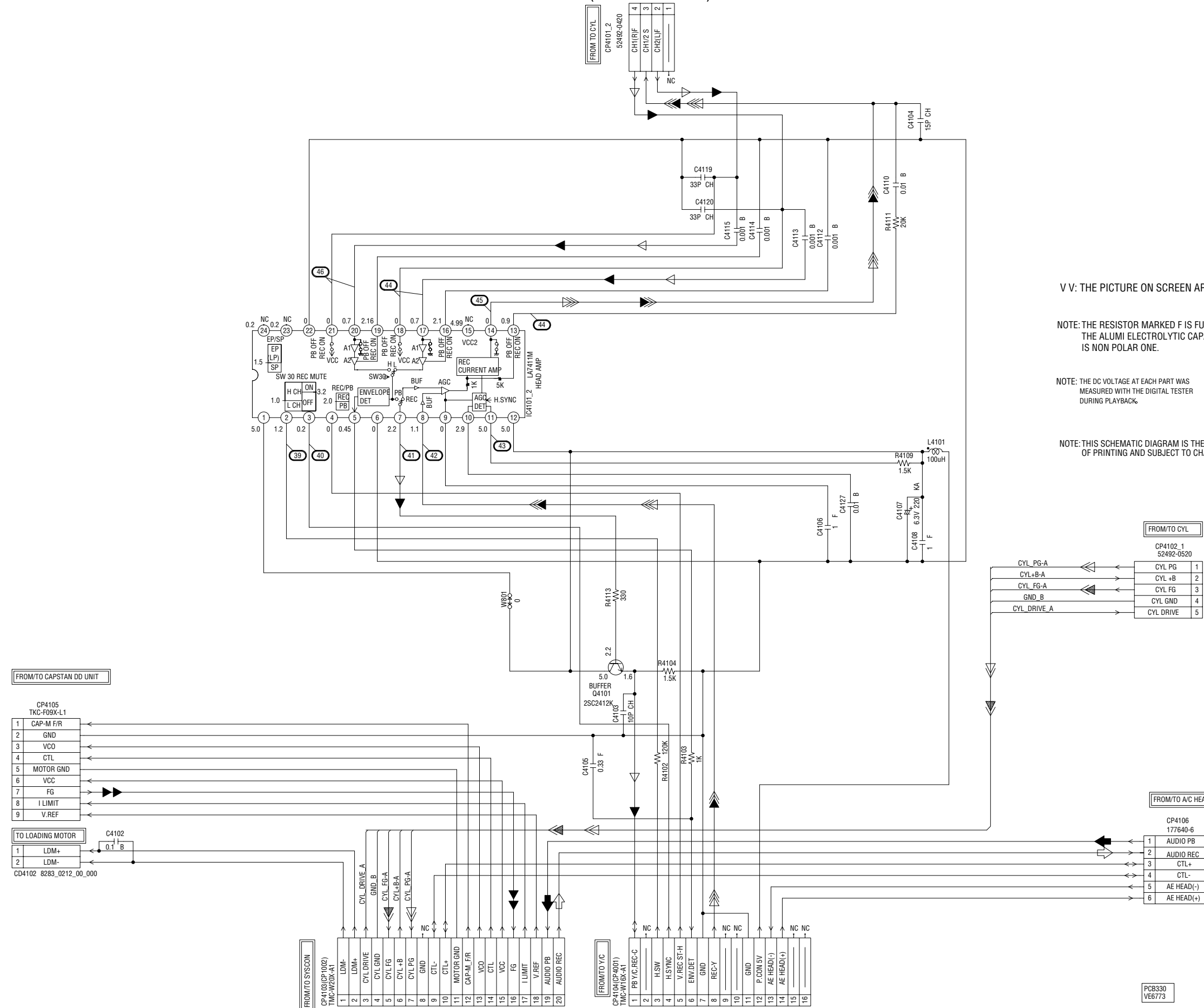


HEAD AMP SCHEMATIC DIAGRAM

(HEAD AMP PCB)



V V: THE PICTURE ON SCREEN APPEARS DURING PLAYBACK.

NOTE: THE RESISTOR MARKED F IS FUSE RESISTOR.
THE ALUMI ELECTROLYTIC CAPACITOR MARKED NP IS NON POLAR ONE.

NOTE: THE DC VOLTAGE AT EACH PART WAS MEASURED WITH THE DIGITAL TESTER DURING PLAYBACK.

NOTE: THIS SCHEMATIC DIAGRAM IS THE LATEST AT THE TIME OF PRINTING AND SUBJECT TO CHANGE WITHOUT NOTICE .

FROM/TO CYL

CP4102_1	52492-0520
CYL PG-A	CYL PG 1
CYL+B-A	CYL +B 2
CYL FG-A	CYL FG 3
GND_B	CYL GND 4
CYL DRIVE A	CYL DRIVE 5

FROM/TO CAPSTAN DD UNIT

CP4105	TKC-F09X-L1
1	CAP-M F/R
2	GND
3	VCO
4	CTL
5	MOTOR GND
6	VCC
7	FG
8	I LIMIT
9	V.REF

TO LOADING MOTOR

CD4102	8283_0212_00_000
1	LDM+
2	LDM-

FROM/TO A/C HEAD

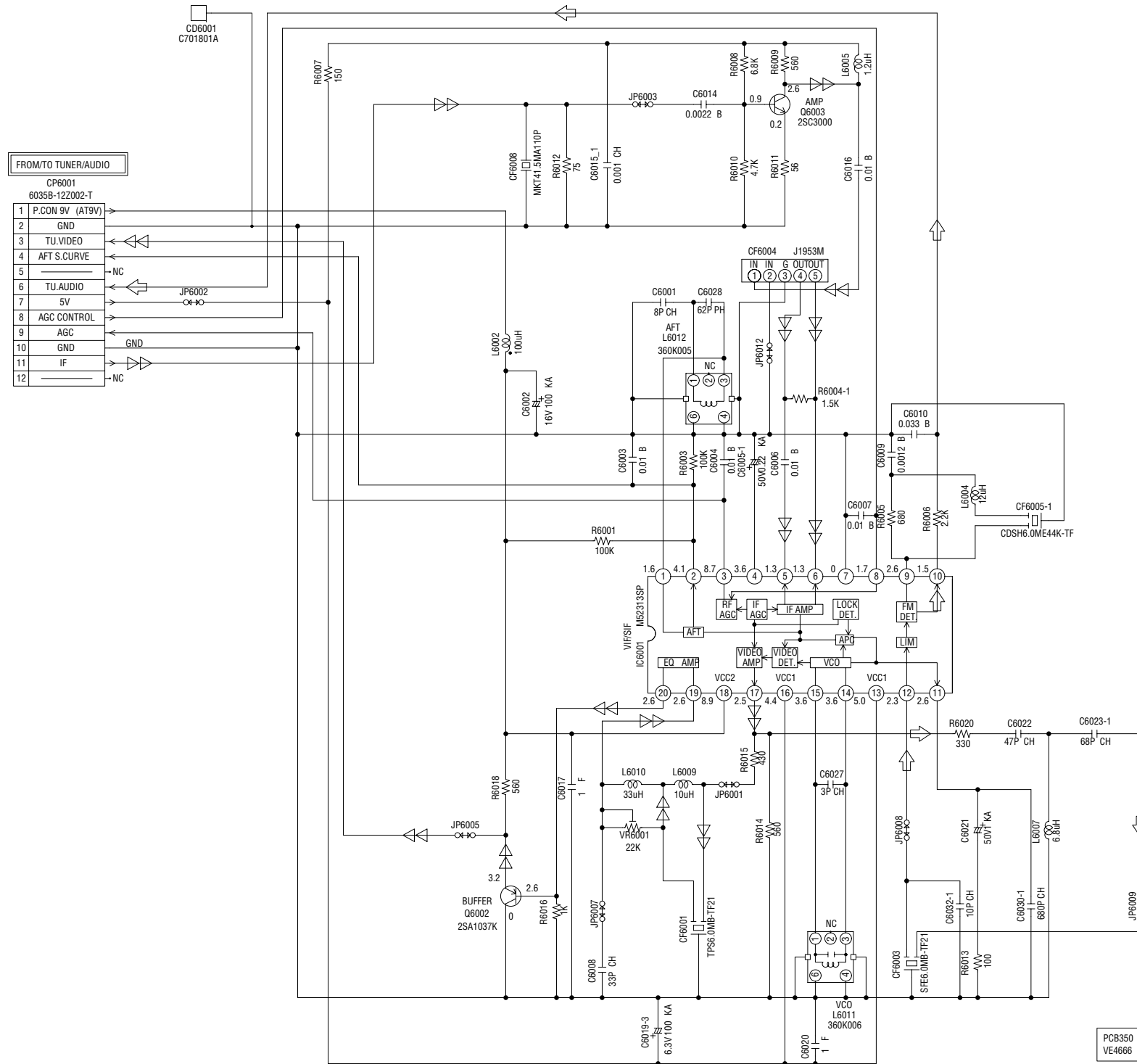
CP4106	177640-6
1	AUDIO PB
2	AUDIO REC
3	CTL+
4	CTL-
5	AE HEAD(-)
6	AE HEAD(+)

- ◀ CAPSTAN AFC SIGNAL
- ◀ RECORD LUMINANCE SIGNAL
- ▶ PLAYBACK LUMINANCE SIGNAL
- ◀ RECORD COLOR SIGNAL
- ◀ PLAYBACK COLOR SIGNAL
- ◀ AUDIO SIGNAL(REC)
- ▶ AUDIO SIGNAL(PB)
- ◀ CYLINDER AFC SIGNAL
- ◀ CYLINDER APC SIGNAL

PCB330
VE6773

IF SCHEMATIC DIAGRAM

(IF PCB)



TUNER VIDEO SIGNAL
 AUDIO SIGNAL(REC)

NOTE: THE DC VOLTAGE AT EACH PART WAS MEASURED WITH THE DIGITAL TESTER DURING PLAYBACK.

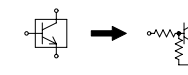
NOTE: THIS SCHEMATIC DIAGRAM IS THE LATEST AT THE TIME OF PRINTING AND SUBJECT TO CHANGE WITHOUT NOTICE.

CAUTION: SINCE THESE PARTS MARKED BY ARE CRITICAL FOR SAFETY, USE ONES DESCRIBED IN PARTS LIST ONLY.

V V: THE PICTURE ON SCREEN APPEARS DURING PLAYBACK.

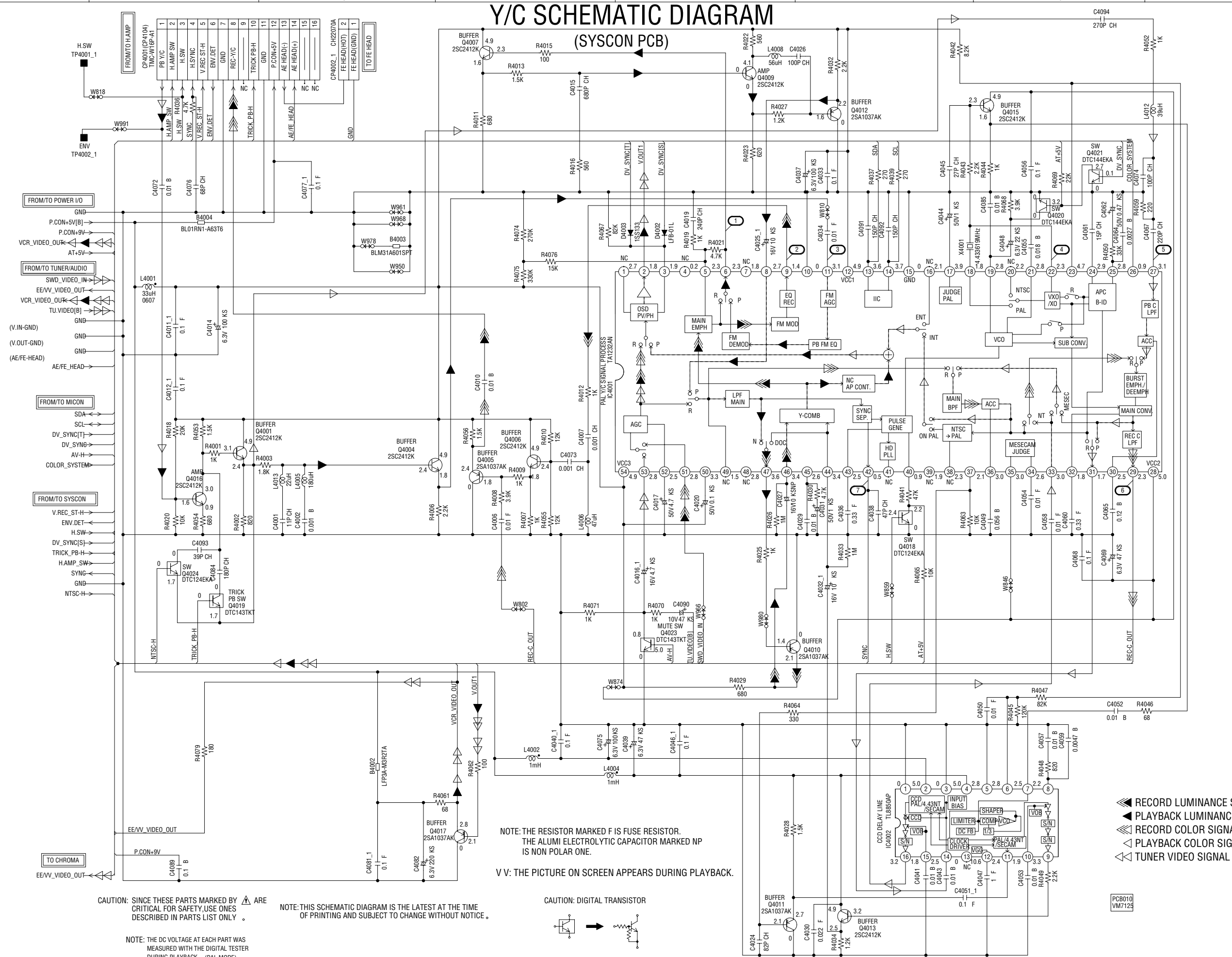
NOTE: THE RESISTOR MARKED F IS FUSE RESISTOR. THE ALUMI ELECTROLYTIC CAPACITOR MARKED NP IS NON POLAR ONE.

CAUTION: DIGITAL TRANSISTOR



Y/C SCHEMATIC DIAGRAM

(SYSCON PCB)



NOTE: THE RESISTOR MARKED F IS FUSE RESISTOR.
THE ALUMI ELECTROLYTIC CAPACITOR MARKED NP
IS NON POLAR ONE.

V V: THE PICTURE ON SCREEN APPEARS DURING PLAYBACK.

CAUTION: DIGITAL TRANSISTOR



CAUTION: SINCE THESE PARTS MARKED BY ARE CRITICAL FOR SAFETY, USE ONES DESCRIBED IN PARTS LIST ONLY.

NOTE: THIS SCHEMATIC DIAGRAM IS THE LATEST AT THE TIME OF PRINTING AND SUBJECT TO CHANGE WITHOUT NOTICE.

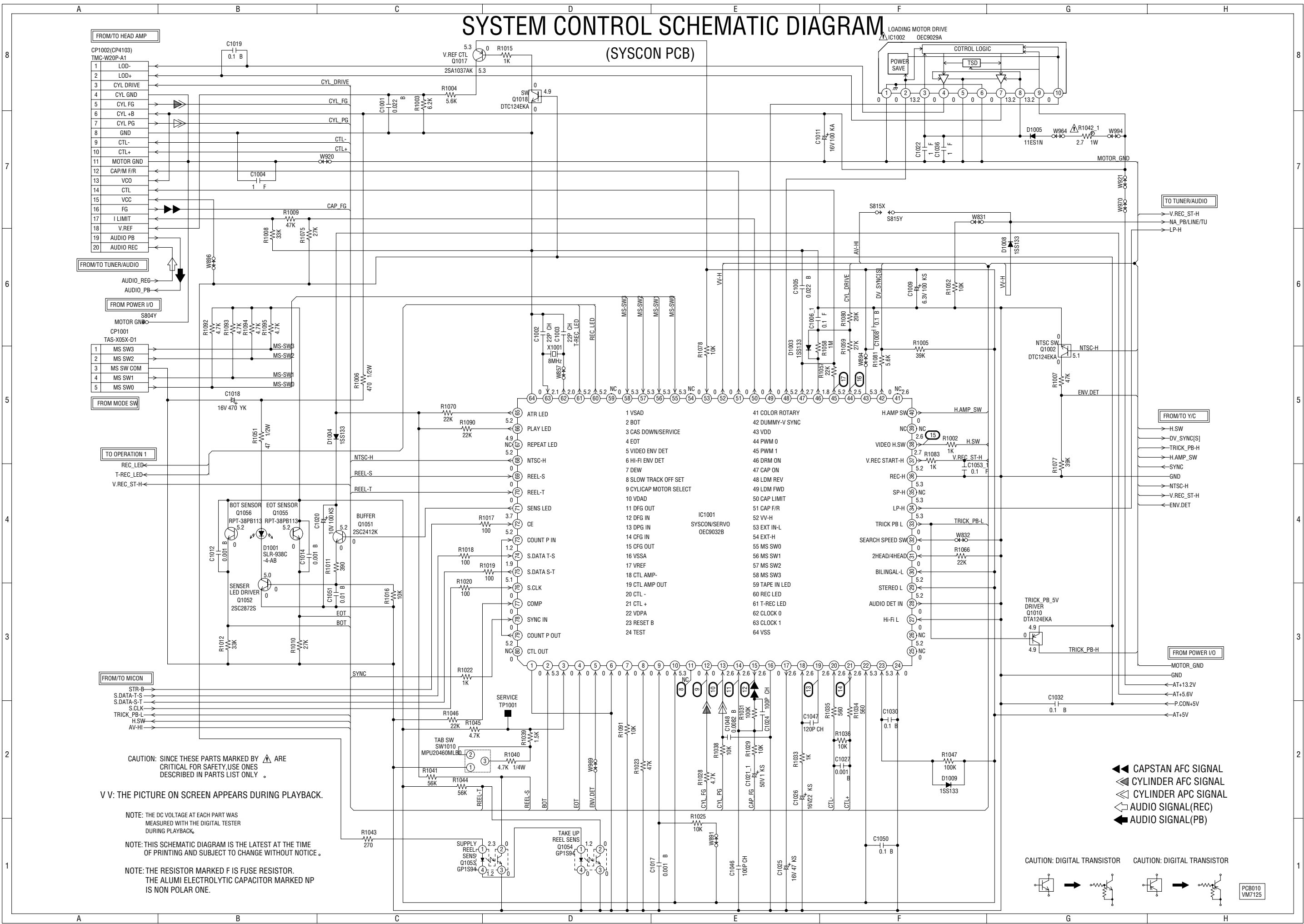
NOTE: THE DC VOLTAGE AT EACH PART WAS MEASURED WITH THE DIGITAL TESTER DURING PLAYBACK. (PAL MODE)

- ▶ RECORD LUMINANCE SIGNAL
- ▶ RECORD LUMINANCE SIGNAL
- ▶ RECORD COLOR SIGNAL
- ▶ PLAYBACK COLOR SIGNAL
- ▶ TUNER VIDEO SIGNAL

PCB010 VM7125

SYSTEM CONTROL SCHEMATIC DIAGRAM

(SYSCON PCB)



CAUTION: SINCE THESE PARTS MARKED BY ARE CRITICAL FOR SAFETY USE ONES DESCRIBED IN PARTS LIST ONLY.

V V: THE PICTURE ON SCREEN APPEARS DURING PLAYBACK.

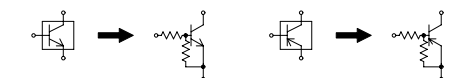
NOTE: THE DC VOLTAGE AT EACH PART WAS MEASURED WITH THE DIGITAL TESTER DURING PLAYBACK.

NOTE: THIS SCHEMATIC DIAGRAM IS THE LATEST AT THE TIME OF PRINTING AND SUBJECT TO CHANGE WITHOUT NOTICE.

NOTE: THE RESISTOR MARKED F IS FUSE RESISTOR. THE ALUMI ELECTROLYTIC CAPACITOR MARKED NP IS NON POLAR ONE.

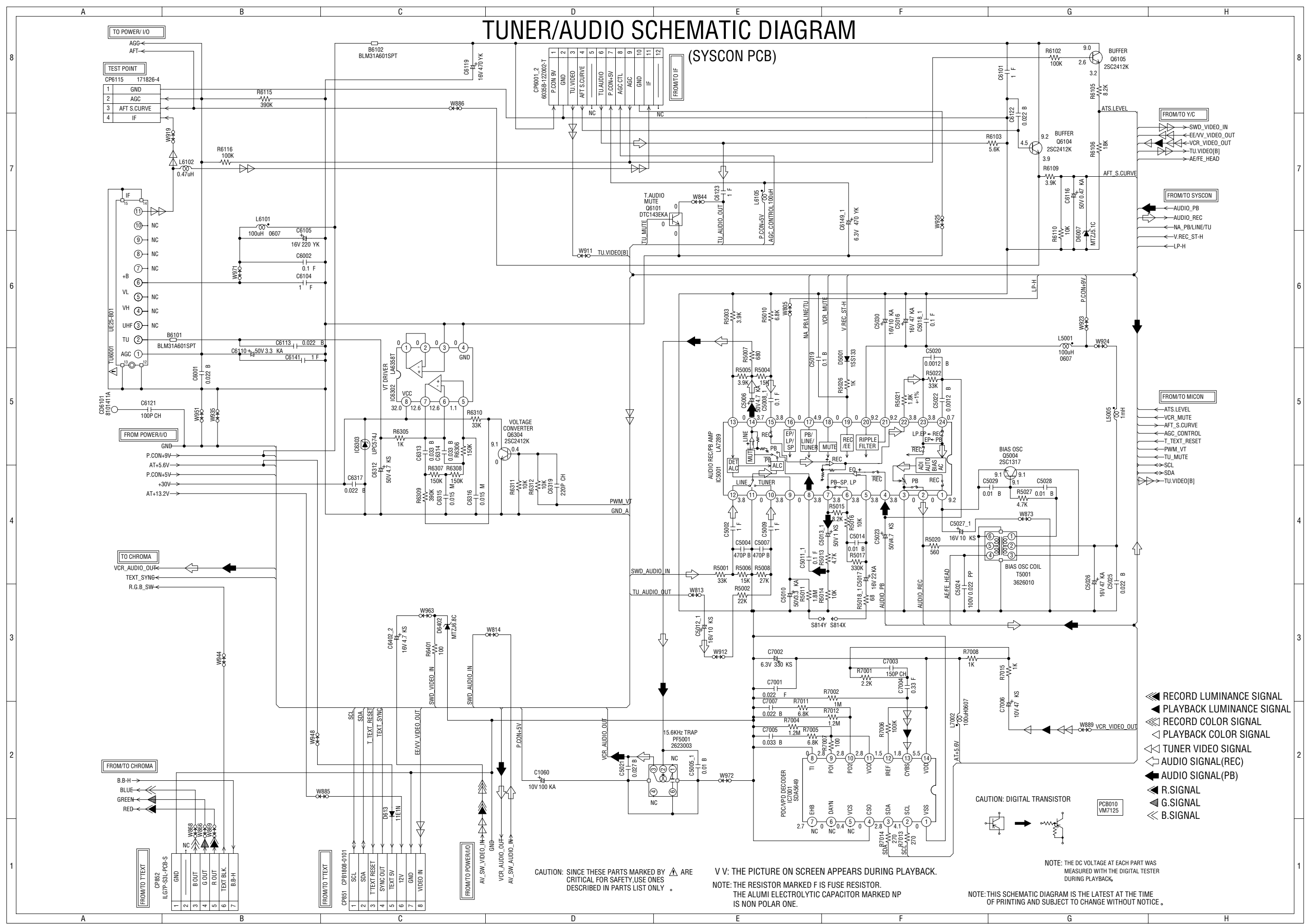
- CAPSTAN AFC SIGNAL
- CYLINDER AFC SIGNAL
- CYLINDER APC SIGNAL
- AUDIO SIGNAL(REC)
- AUDIO SIGNAL(PB)

CAUTION: DIGITAL TRANSISTOR



TUNER/AUDIO SCHEMATIC DIAGRAM

(SYSCON PCB)



- ◀ RECORD LUMINANCE SIGNAL
- ▶ PLAYBACK LUMINANCE SIGNAL
- ◀ RECORD COLOR SIGNAL
- ▶ PLAYBACK COLOR SIGNAL
- ◀ TUNER VIDEO SIGNAL
- ▶ AUDIO SIGNAL (REC)
- ▶ AUDIO SIGNAL (PB)
- ▶ R.SIGNAL
- ▶ G.SIGNAL
- ▶ B.SIGNAL

CAUTION: SINCE THESE PARTS MARKED BY ARE CRITICAL FOR SAFETY, USE ONES DESCRIBED IN PARTS LIST ONLY.

V V: THE PICTURE ON SCREEN APPEARS DURING PLAYBACK.
 NOTE: THE RESISTOR MARKED F IS FUSE RESISTOR.
 THE ALUMI ELECTROLYTIC CAPACITOR MARKED NP IS NON POLAR ONE.

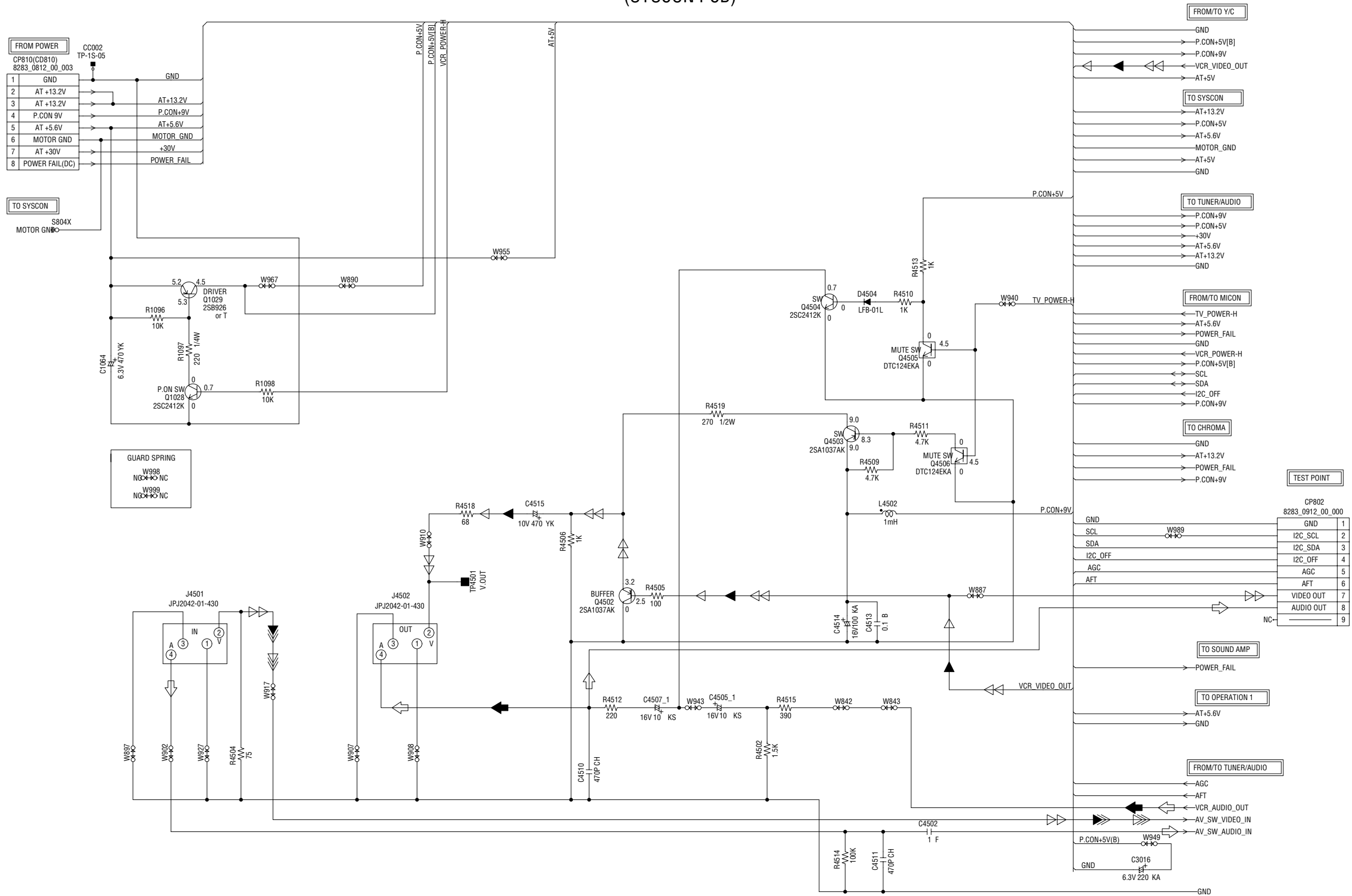
CAUTION: DIGITAL TRANSISTOR

NOTE: THE DC VOLTAGE AT EACH PART WAS MEASURED WITH THE DIGITAL TESTER DURING PLAYBACK.

NOTE: THIS SCHEMATIC DIAGRAM IS THE LATEST AT THE TIME OF PRINTING AND SUBJECT TO CHANGE WITHOUT NOTICE.

POWER/IN/OUT SCHEMATIC DIAGRAM

(SYSCON PCB)



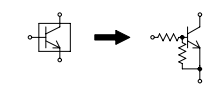
CAUTION: SINCE THESE PARTS MARKED BY ARE CRITICAL FOR SAFETY, USE ONES DESCRIBED IN PARTS LIST ONLY.

V V: THE PICTURE ON SCREEN APPEARS DURING PLAYBACK.
NOTE: THE RESISTOR MARKED F IS FUSE RESISTOR.
THE ALUMI ELECTROLYTIC CAPACITOR MARKED NP IS NON POLAR ONE.

NOTE: THE DC VOLTAGE AT EACH PART WAS MEASURED WITH THE DIGITAL TESTER DURING PLAYBACK.

NOTE: THIS SCHEMATIC DIAGRAM IS THE LATEST AT THE TIME OF PRINTING AND SUBJECT TO CHANGE WITHOUT NOTICE.

CAUTION: DIGITAL TRANSISTOR

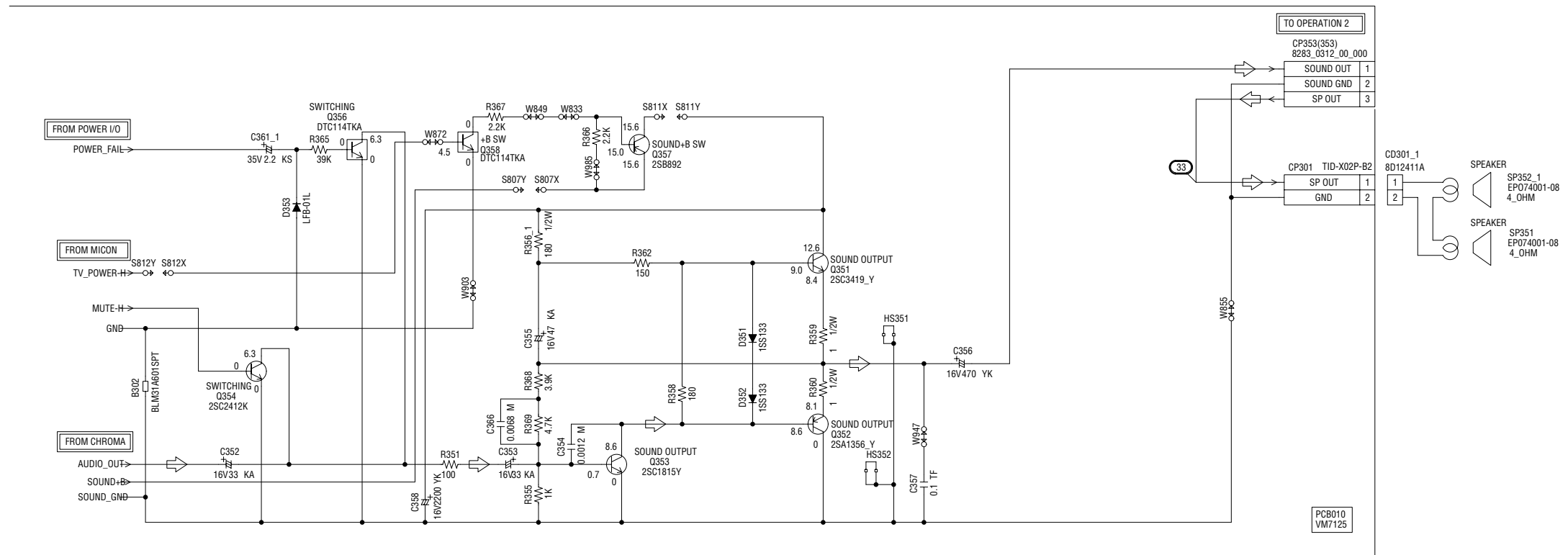


- RECORD LUMINANCE SIGNAL
- RECORD COLOR SIGNAL
- TUNER VIDEO SIGNAL
- AUDIO SIGNAL (PB)
- AUDIO SIGNAL (REC)
- PLAYBACK LUMINANCE SIGNAL
- PLAYBACK COLOR SIGNAL

PCB010
VM7125

SOUND AMP SCHEMATIC DIAGRAM

(SYSCON PCB)



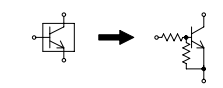
CAUTION: SINCE THESE PARTS MARKED BY ARE CRITICAL FOR SAFETY, USE ONES DESCRIBED IN PARTS LIST ONLY.

NOTE: THE RESISTOR MARKED F IS FUSE RESISTOR. THE ALUMI ELECTROLYTIC CAPACITOR MARKED NP IS NON POLAR ONE.

NOTE: THIS SCHEMATIC DIAGRAM IS THE LATEST AT THE TIME OF PRINTING AND SUBJECT TO CHANGE WITHOUT NOTICE.

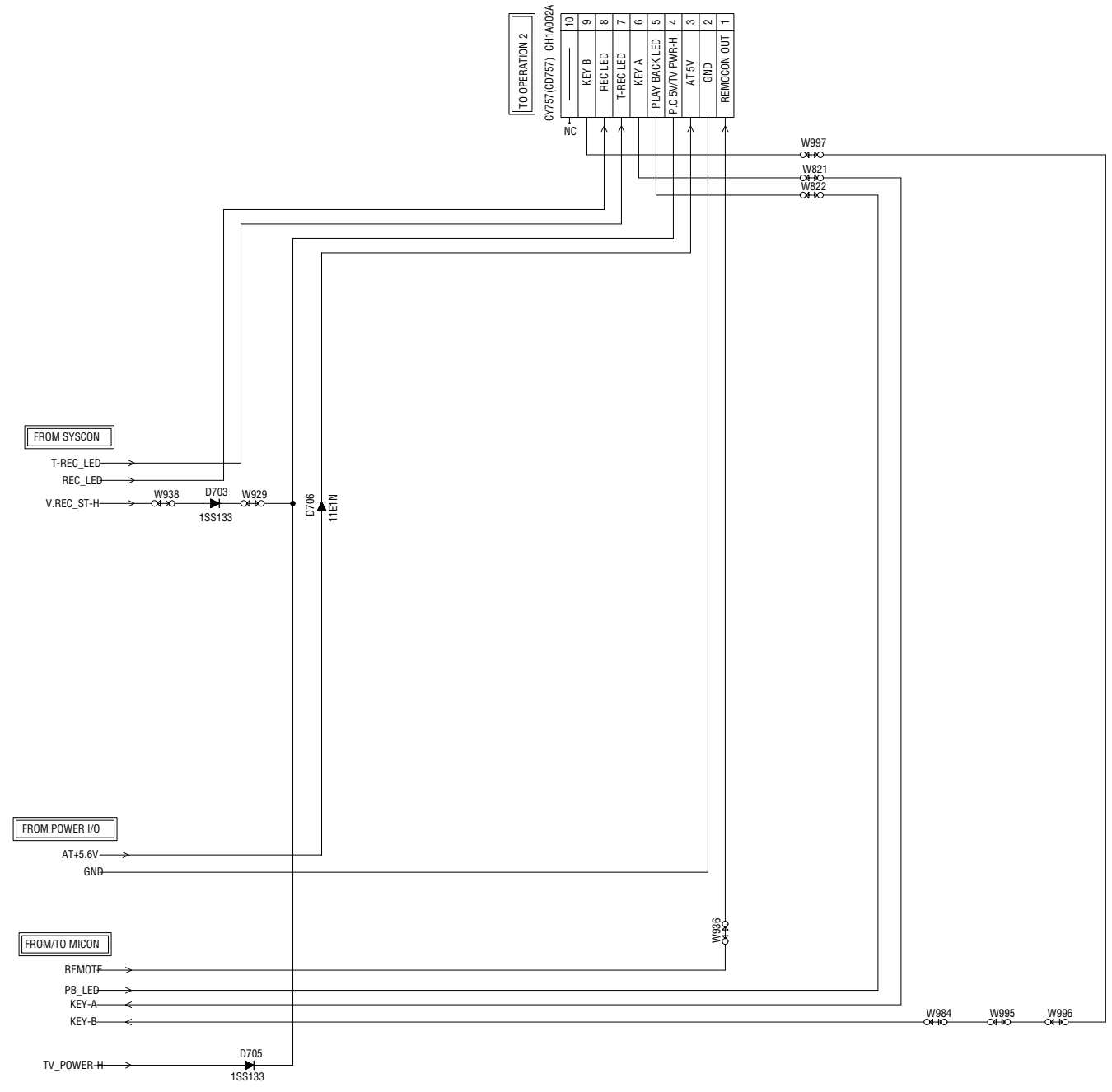
NOTE: THE DC VOLTAGE AT EACH PART WAS MEASURED WITH THE DIGITAL TESTER DURING PLAYBACK.

CAUTION: DIGITAL TRANSISTOR



AUDIO SIGNAL

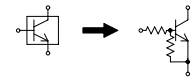
OPERATION 1 SCHEMATIC DIAGRAM (SYSCON PCB)



PCB010
VM7125

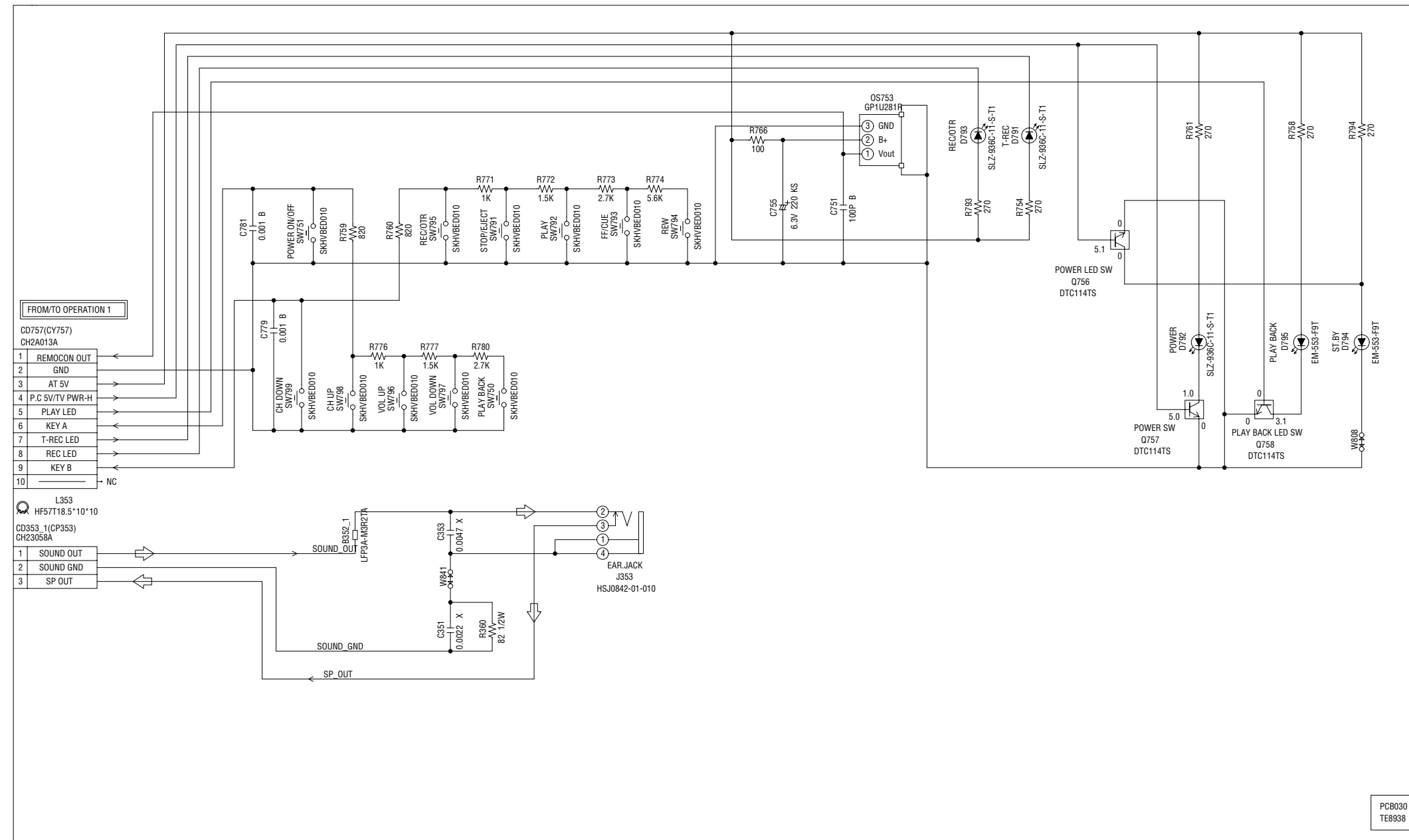
NOTE: THIS SCHEMATIC DIAGRAM IS THE LATEST AT THE TIME OF PRINTING AND SUBJECT TO CHANGE WITHOUT NOTICE.

CAUTION: DIGITAL TRANSISTOR



OPERATION 2 SCHEMATIC DIAGRAM

(OPERATION PCB)



FROM/TO OPERATION 1

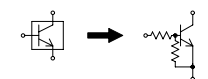
1	REMOCON OUT
2	GND
3	AT 5V
4	P.C 5V/TV PWR-H
5	PLAY LED
6	KEY A
7	T-REC LED
8	REC LED
9	KEY B
10	NC

L353	
HF57T18.5*10*10	
CD353_1(CP353)	
CH23058A	
1	SOUND OUT
2	SOUND GND
3	SP OUT

NOTE: THE DC VOLTAGE AT EACH PART WAS MEASURED WITH THE DIGITAL TESTER DURING PLAYBACK.

NOTE: THIS SCHEMATIC DIAGRAM IS THE LATEST AT THE TIME OF PRINTING AND SUBJECT TO CHANGE WITHOUT NOTICE.

CAUTION: DIGITAL TRANSISTOR

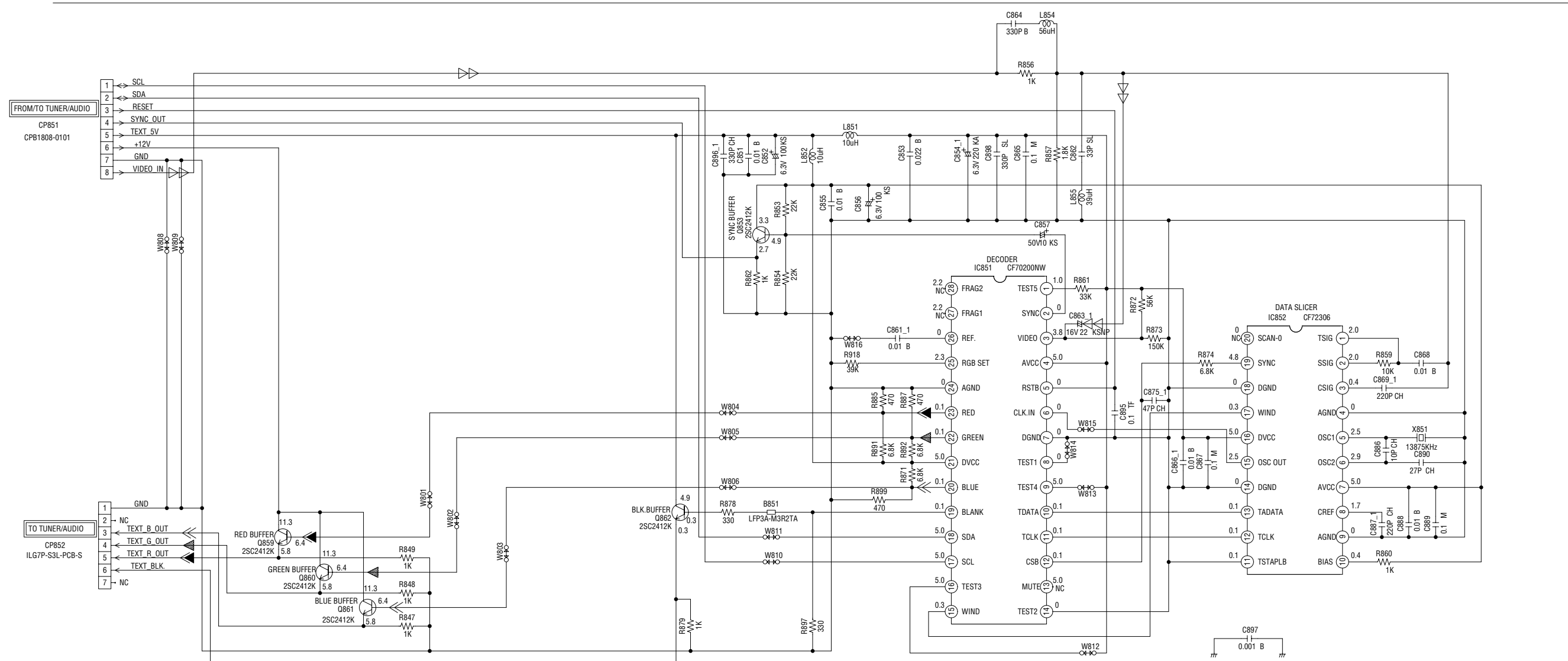


← AUDIO SIGNAL


PCB030
TE8938

T'TEXT SCHEMATIC DIAGRAM





(T'TEXT PCB)



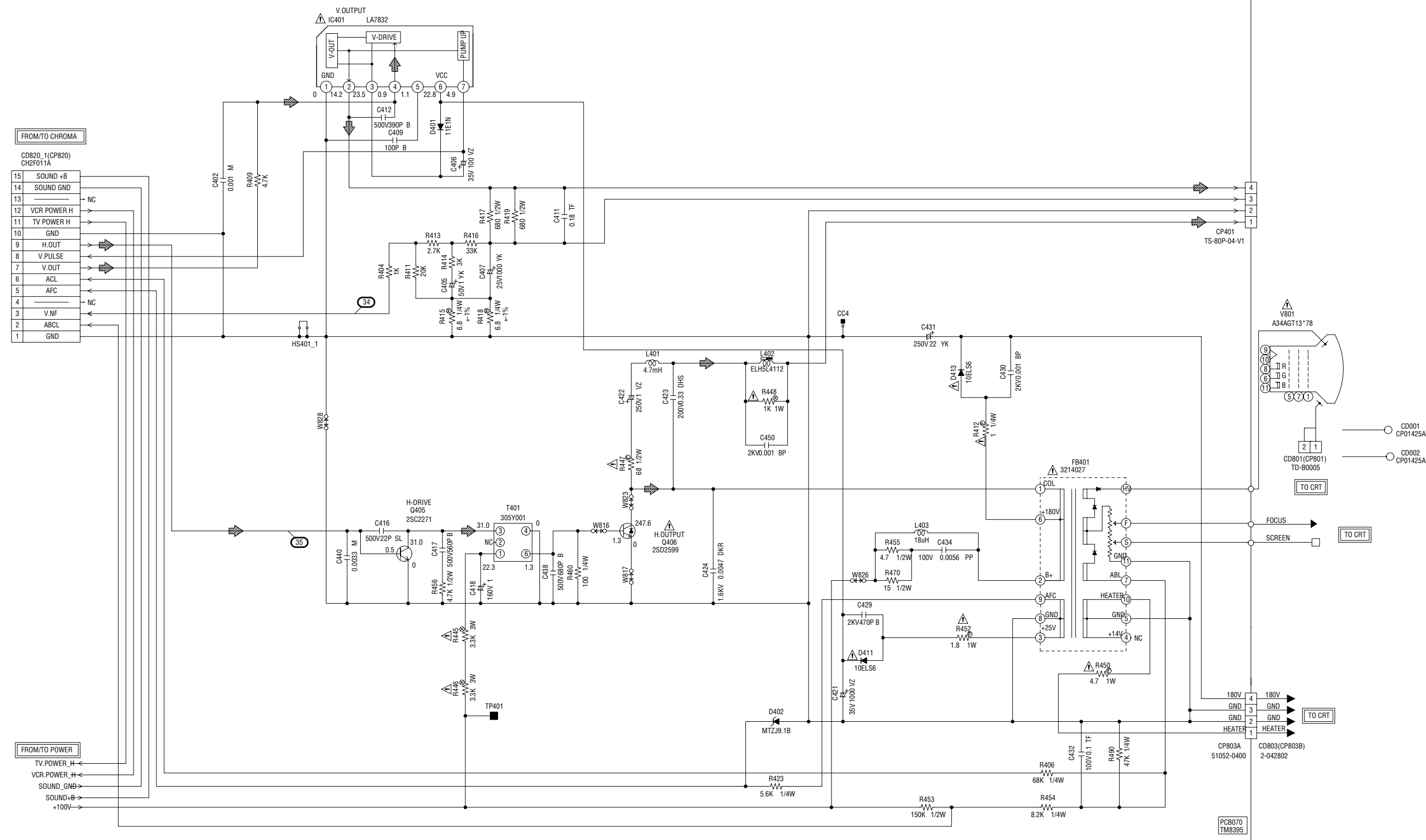
NOTE: THIS SCHEMATIC DIAGRAM IS THE LATEST AT THE TIME OF PRINTING AND SUBJECT TO CHANGE WITHOUT NOTICE.

CAUTION: SINCE THESE PARTS MARKED BY  ARE CRITICAL FOR SAFETY, USE ONES DESCRIBED IN PARTS LIST ONLY.

NOTE: THE RESISTOR MARKED F IS FUSE RESISTOR. THE ALUMI ELECTROLYTIC CAPACITOR MARKED NP IS NON POLAR ONE.

-  R.SIGNAL
-  G.SIGNAL
-  B.SIGNAL
-  TUNER VIDEO SIGNAL

DEFLECTION SCHEMATIC DIAGRAM (MAIN PCB)



NOTE: THE DC VOLTAGE AT EACH PART WAS MEASURED WITH THE DIGITAL TESTER DURING PLAYBACK.

NOTE: THIS SCHEMATIC DIAGRAM IS THE LATEST AT THE TIME OF PRINTING AND SUBJECT TO CHANGE WITHOUT NOTICE.

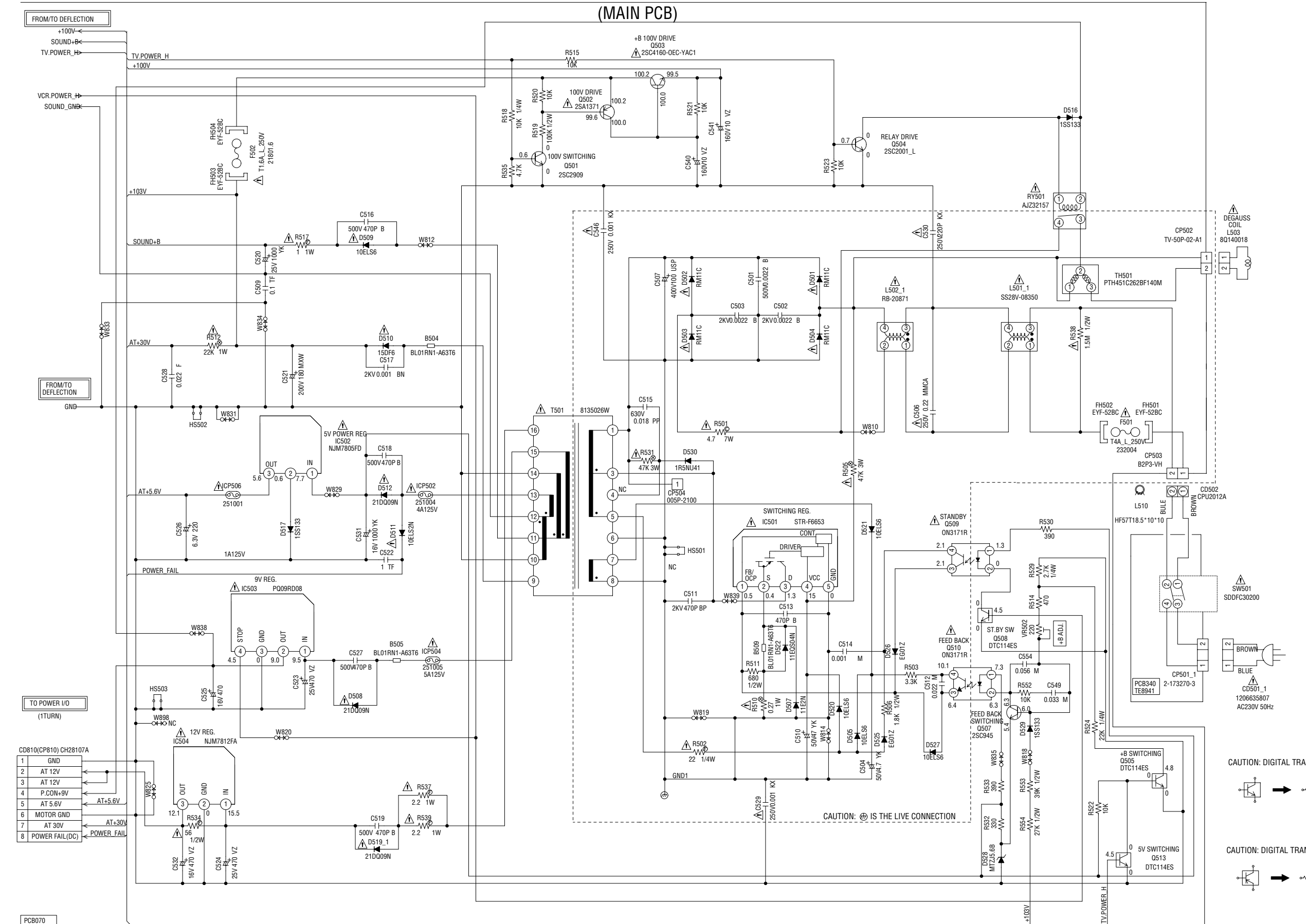
NOTE: THE RESISTOR MARKED F IS FUSE RESISTOR. THE ALUMI ELECTROLYTIC CAPACITOR MARKED NP IS NON POLAR ONE.

CAUTION: SINCE THESE PARTS MARKED BY Δ ARE CRITICAL FOR SAFETY, USE ONES DESCRIBED IN PARTS LIST ONLY.

\blacktriangleleft DEFLECTION SIGNAL

POWER SCHEMATIC DIAGRAM

(MAIN PCB)



CD810(CP810) CH28107A

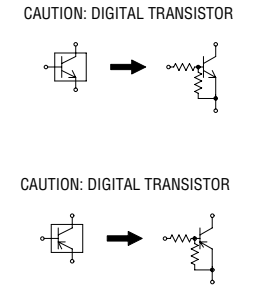
1	GND
2	AT 12V
3	AT 12V
4	P.CON+9V
5	AT 5.6V
6	MOTOR GND
7	AT 30V
8	POWER FAIL(DC)

NOTE: THE DC VOLTAGE AT EACH PART WAS MEASURED WITH THE DIGITAL TESTER DURING PLAYBACK.

NOTE: THIS SCHEMATIC DIAGRAM IS THE LATEST AT THE TIME OF PRINTING AND SUBJECT TO CHANGE WITHOUT NOTICE.

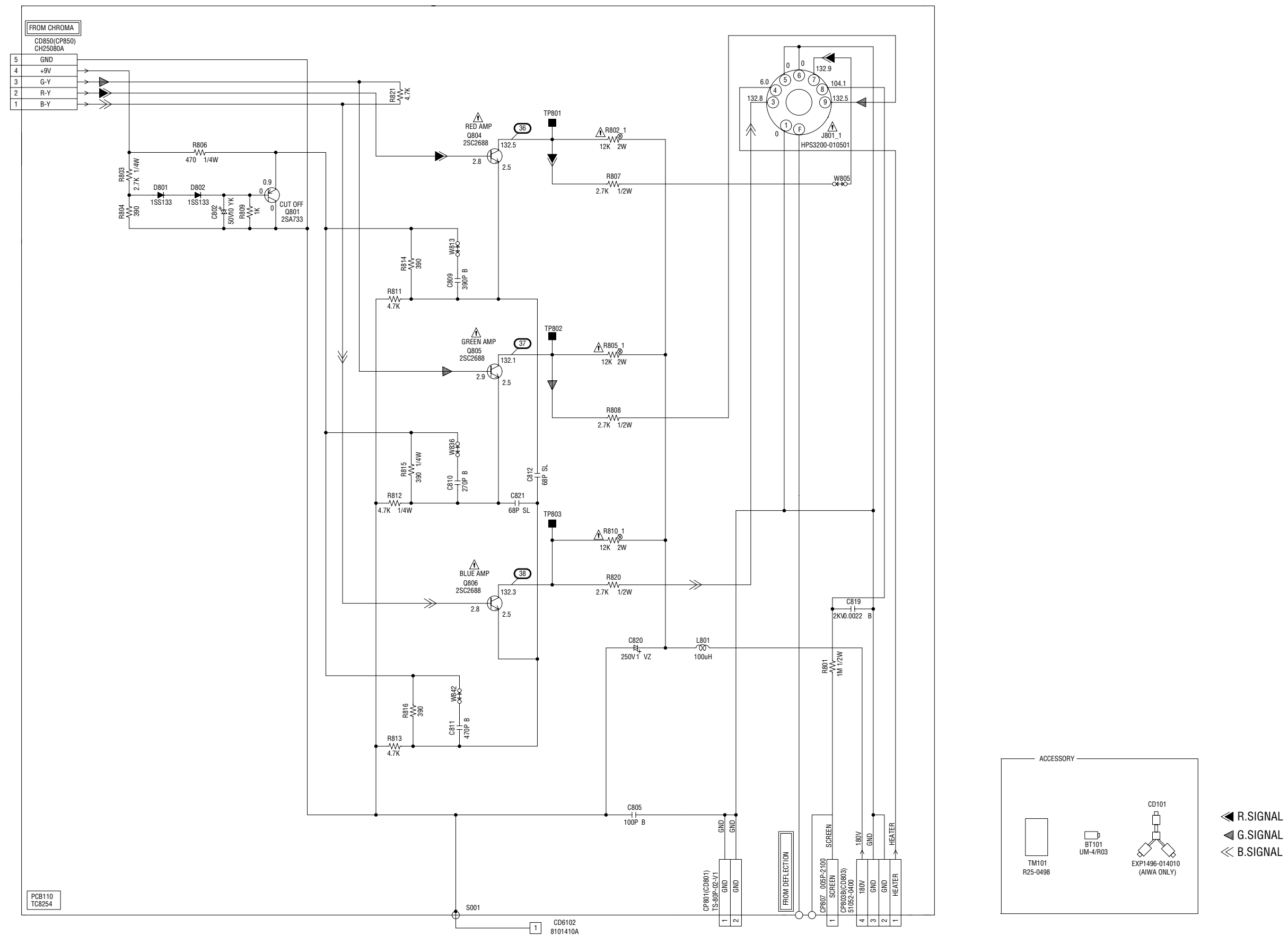
NOTE: THE RESISTOR MARKED F IS FUSE RESISTOR. THE ALUMI ELECTROLYTIC CAPACITOR MARKED NP IS NON POLAR ONE.

CAUTION: SINCE THESE PARTS MARKED BY ARE CRITICAL FOR SAFETY, USE ONES DESCRIBED IN PARTS LIST ONLY.



CRT SCHEMATIC DIAGRAM

(CRT PCB)

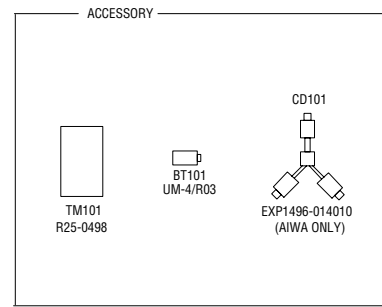


CAUTION: SINCE THESE PARTS MARKED BY ARE CRITICAL FOR SAFETY, USE ONES DESCRIBED IN PARTS LIST ONLY.

NOTE: THE RESISTOR MARKED F IS FUSE RESISTOR. THE ALUMI ELECTROLYTIC CAPACITOR MARKED NP IS NON POLAR ONE.

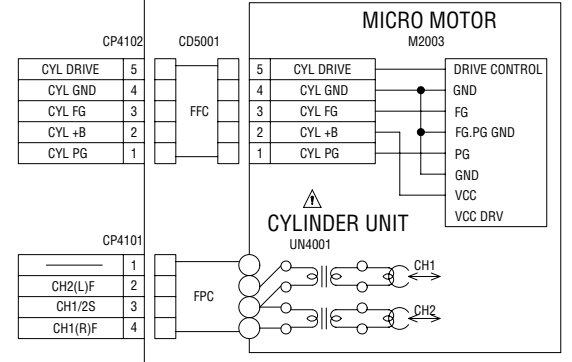
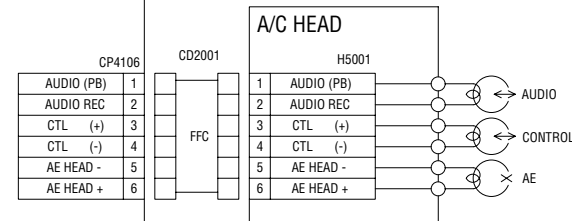
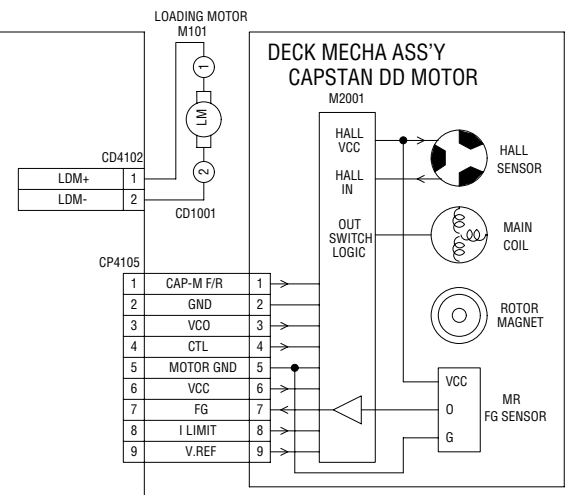
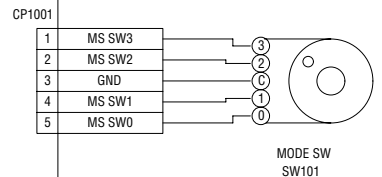
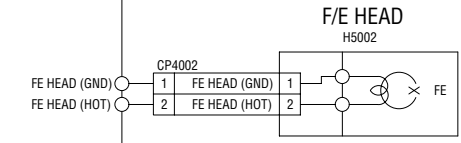
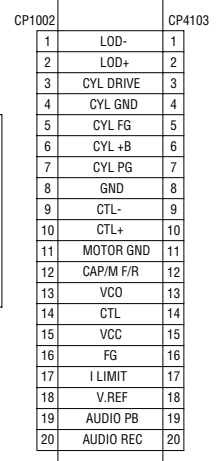
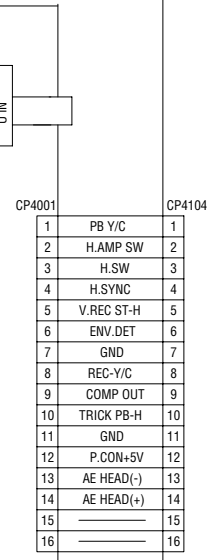
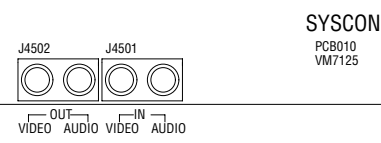
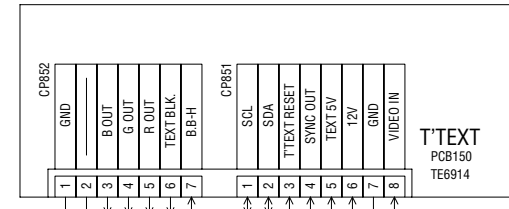
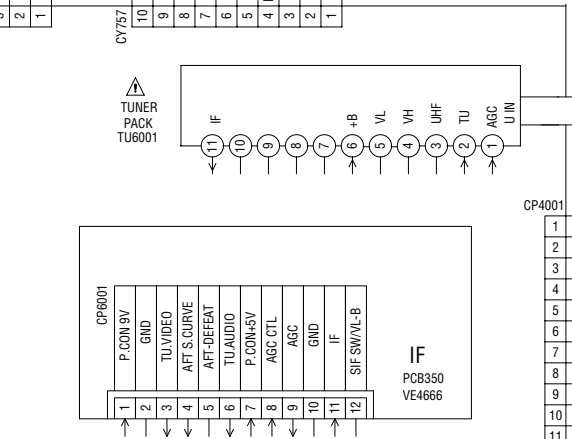
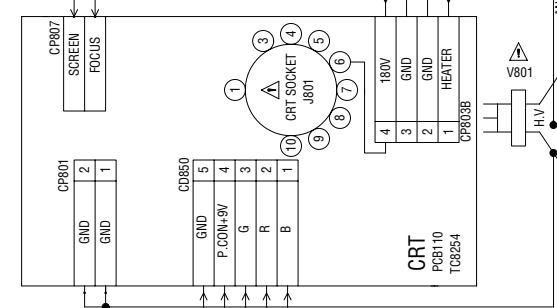
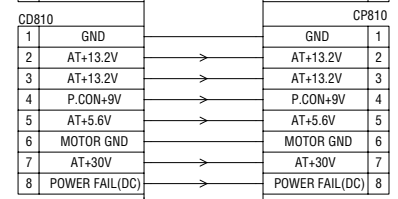
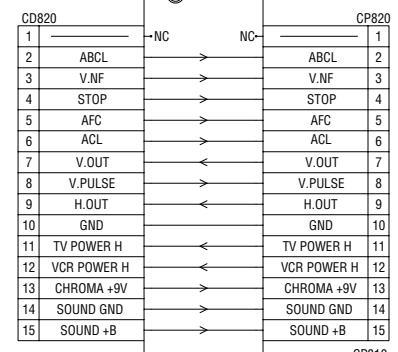
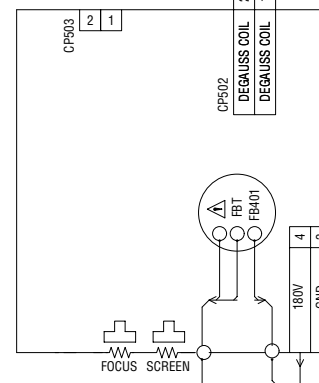
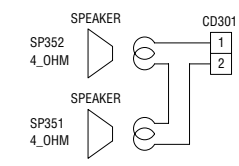
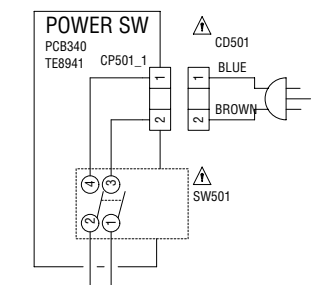
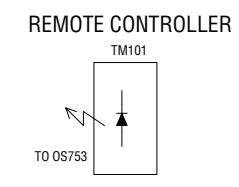
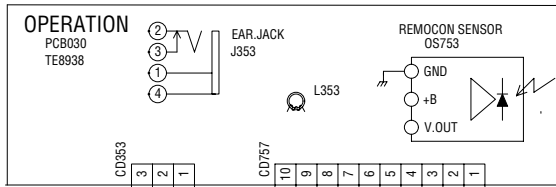
NOTE: THIS SCHEMATIC DIAGRAM IS THE LATEST AT THE TIME OF PRINTING AND SUBJECT TO CHANGE WITHOUT NOTICE.

NOTE: THE DC VOLTAGE AT EACH PART WAS MEASURED WITH THE DIGITAL TESTER DURING PLAYBACK.



R.SIGNAL
 G.SIGNAL
 B.SIGNAL

INTERCONNECTION DIAGRAM



V V: THE PICTURE ON SCREEN APPEARS DURING PLAYBACK.

CAUTION: SINCE THESE PARTS MARKED BY ARE CRITICAL FOR SAFETY, USE ONES DESCRIBED IN PARTS LIST ONLY.

NOTE: THIS INTERCONNECTION DIAGRAM IS THE LATEST AT THE TIME OF PRINTING AND SUBJECT TO CHANGE WITHOUT NOTICE.